

Pneutork offers ISO 5211 standard pneumatic rotary actuator operated investment casting WCB/CF8/CF8M wafer type ball valve.



## Size Range - 1" TO 4"

### Ball Valve Specification.

Working Pressure	10 Bar
Working Temperature	Upto 180°C Max.
Valve Rating	150#
Leakage Class	Class VI

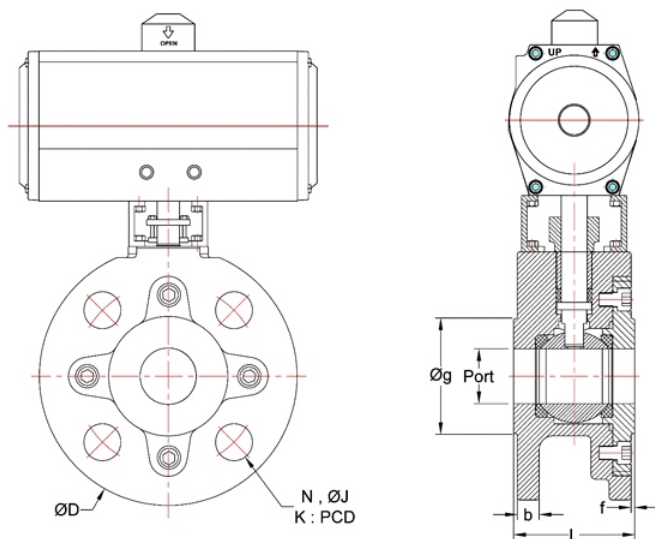
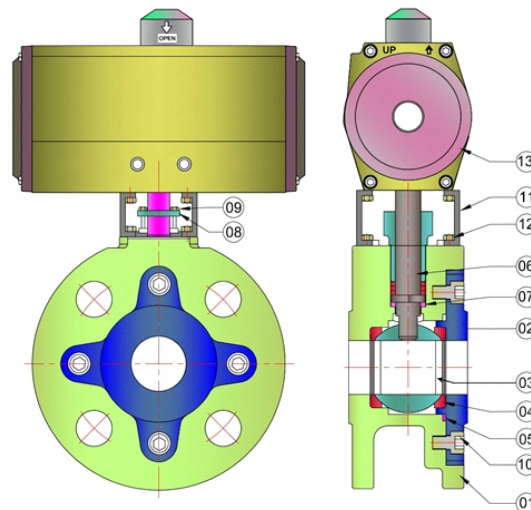
25mm Size : Solid Ball And Above That Hollow Ball

### Standard

Design and Manufacturing:	IS / ISO 17292
Valve Face to Face Dimension:	As per Manufacturers Std.
Flanged Standard Conformity:	ASME B16.5 Class 150
Inspection & Testing:	API 598 / IS / ISO 17292

### Accessories

- » On/Off Actuator
- » NAMUR Standard solenoid valve all standard coil voltage (Flame proof solenoid coil on request)
- » Pneumatic & Electro pneumatic valve positioner.
- » Declutchable Manual Over ride
- » Limit Switch for on/off indication at panel board.
- » Air filter + Regulator combination with pressure Gauge
- » Air Lock Valve



No.	Description	Material
1	Body	WCB/CF8/CF8M
2	Connector	WCB/CF8/CF8M
3	Ball	CF8/CF8M
4	Ball Seal	PTFE / GFT / CFT
5	Ball Seat	PTFE / GFT / CFT
6	Stem Pin	S. S. 304
7	Stem Seat	AISI 304
8	Gland with Bush	PTFE / GFT / CFT
9	Gland Fitting Bolt	S. S.
10	Allen Bolt	S. S.
11	Bracket	S. S.
12	Bracket Fitting Bolt & Washer	S. S.
13	Actuator	STD.

### All Dimension are in mm.

Valve Size		L	b	f	Port	Øg	ØD	ØJ	N	PCD
MM	Inch									
25	1"	54	9.6	2	25	50.8	110	15.88	4	79.4
32	1.1/4"	58.5	11.2	2	32	63.50	115	15.88	4	88.9
40	1.1/2"	63	12.7	2	38	73	127	15.88	4	98.4
50	2"	73	14.3	2	49	92.1	152	19.05	4	120.7
65	2.1/2"	96	15.9	2	62	104.65	177.8	19.05	4	139.7
80	3"	118	17.5	2	74	127	190	19.05	4	152.4
100	4"	140	22.3	2	100	157.2	230	19.05	4	190.5